



# GRIP CLIP™ Shop Air Line Kit

Model No. 60750

## OPERATOR'S MANUAL

### SAFETY INFORMATION

Please read this entire manual carefully before attempting to assemble or operate this product. If you have any questions regarding this product please call customer service (800)- 426 -1262.

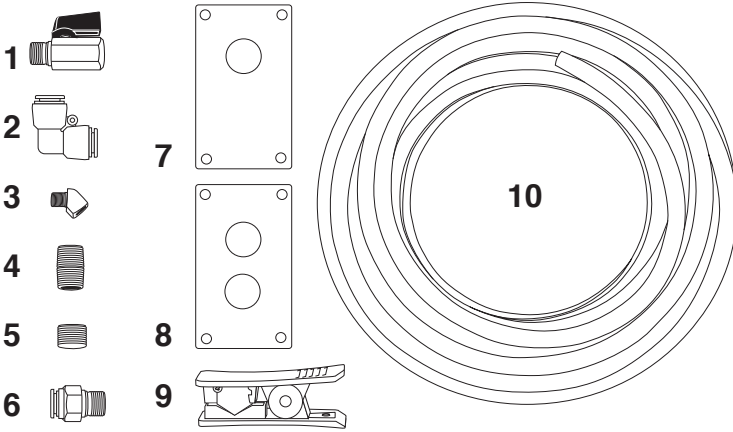


### WARNING

Improper installation, operation, or maintenance of this product could result in serious injury and property damage. Whenever using tools, basic safety precautions should always be followed to reduce the risk of property damage or personal injury. Keep tools out of reach of children and never allow children to handle equipment or tools. Keep work area clear from clutter and other work hazards. Do not use this product in unsafe work conditions. Study, thoroughly understand, and follow all safety precautions and operating instructions before installing your GRIP CLIP Shop Air Line. If the operator cannot read English, operating instructions and safety precautions must be read and discussed in the operator's native language.

For assistance with this product call 800-426-1262 between 7 a.m. and 4 p.m. Pacific time.

### PACKAGE CONTENTS



#	Description	Qty.
1	Shut Off Valve	2
2	90 Degree Elbow	4
3	Brass Fitting	2
4	Brass Fitting	2
5	Brass Plug	3
6	1/2 in. Male Connector	6
7	Wall-Mounted Outlet	2
8	Manifold	1
9	Tubing Cutter	1
10	1/2 in. Nylon Tubing	1

### ADDITIONAL SAFETY GUIDELINES

- Every tool has a unique function and is designed to operate in a specific way. Make sure that any air tool accessory used with this system is compatible.
- Do not exceed the recommended maximum 150-psi of the shop air line system. This applies to any air tool, or accessory which may be connected to the shop air line system as well.
- Only use a tool for its intended function. The enclosed air hose cutter has multiple sharp edges, use with extreme caution.
- Improper operation of the air hose cutter could result in personal injury.
- Never operate tool if under the influence of drugs or alcohol.
- Never operate any tool if you are tired or unable to keep control of tool at all times.
- Be aware of excess hose left connected on the floor of your working area or work surface.
- Do not abuse the air line or connectors, and never yank on the air hose system.
- Mount the air lines away from heat, oil and sharp edges.
- Check the air line and connections for weak or excess wear before each use making sure that all connections are secure before use.
- Do not spray corrosive materials, toxic chemicals, fertilizers or pesticides through assembled system.
- Use a face mask/respirator and protective clothing depending on your use of this system.
- If using spray paint equipment always spray in a well ventilated area to prevent health and fire hazards.
- Always disconnect a tool from air system before performing any maintenance.
- Always turn off compressor and release air from the entire system before performing any maintenance or making configuration changes to your garage air line system. Failure to do so may result in property damage or personal injury.
- Never use a tool which is leaking air, has missing or damaged parts, or requires repair.
- Only use parts and accessories recommended for your air line system.
- This kit includes multiple small components that may present a choking hazard to children.
- This is not a toy.

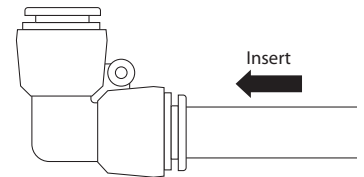
### BASIC LAYOUT

1. Design a basic layout of how you want your air line setup. Use the example in this manual as a reference.
2. Take measurements of your garage where the lines will be mounted prior to cutting the supplied air line.
3. Once cut and tubing has been installed into the 90° elbow or T use the hole in the fitting for mounting.
4. There is a multitude of different configurations possible so some of the components may not be used.
5. Be sure your compressor is able to provide enough CFM air output to properly power your tools.
6. A basic layout will take an estimated 45 minutes to install.

### ASSEMBLY

Take the measurements from your layout and cut the air line using the enclosed cutter. To attach Grip Clip fittings to the air line firmly insert the cut end into the selected fitting until it bottoms out. Now pull on the air line while holding the fitting to confirm a

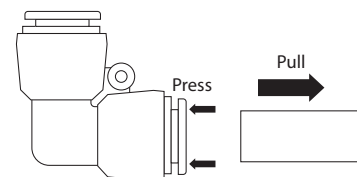
secure connection. Secure the air line between the fittings with 1/2" PVC (not included) clamps if necessary.



### DISASSEMBLY

If it becomes necessary to disassemble your airline system, please follow these safety instructions. First close or shut off the air supply to your system. Drain The Full System Drain the remaining air from the airlines in your system using a blow gun or other tool connected to your wall mounted outlet. Once completely drained it is safe to disassembly the airlines at the fitting connections.

To remove any component from the airlines press in the Grip Clip ring. Pull the airline out while holding the ring in.



## CUTTING THE HOSE

To cut the hose, place the airline cutter at the location the cut is needed. Be sure the hose is square to the cutter blade; this will provide a straight clean cut, and will prevent leaks. Simply press down firmly, inspect the edge to ensure a straight even cut. Be sure before cutting that you have the right measurement and location.

**CAUTION:** The cutting blade is sharp. Keep fingers and other body parts away from the cutting edge before and after you make the cut.

## CONNECTING T AND 90° FITTINGS

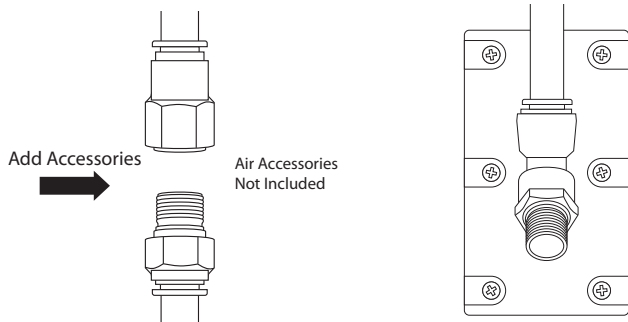
The assembly is simple, firmly press the hose into the Grip Clip fitting until you feel it bottom out. It's best to use either a T or the 90° fitting at the top of your design. These are used for your drop downs, and corners. Use the 1/4" threaded male fitting to attach you're coupler (not included).

Additional drop downs can be used to install an inline filter or regulator (not included). Also in your kit is an in-line air shut off valve, be sure the arrow on this valve points in the direction the air will flow. Again use 1/2" PVC clamps on the air supply line between the fittings if necessary.

## WALL MOUNTED OUTLET

At the bottom of your drop down is where the wall outlet should be mounted. Find a good ending position suitable to mount the wall outlet. This should be a position that the wall outlet can be securely mounted utilizing all four hardware holes. Potential force may be placed on this

fitting as your air tool supply line gets pulled around the shop. Press your measured airline onto the Grip Clip wall mount and attach the assembled unit to the wall. It's recommended that a female coupler (not included) be used on the 1/4" male threads of the wall mount for proper operation.



## FINAL CHECK

Once you have your air lines completely assembled apply air to your system. Go to each connection and listen for air leaks, repair as needed. Always turn off your compressor and drain the entire system before

performing any maintenance or making any configuration changes to your garage air line system. Failure to do so may result in property damage or personal injury.

